

# Bảng thông số sản phẩm

Thông số kỹ thuật



Complete push button, Easy Harmony XA2, plastic, red mushroom head 40mm, 22mm, 1NC

XA2EC42

## Main

Range of product	Easy Harmony XA2
product or component type	Complete push-button
Device short name	XA2
Bezel material	Plastic
Fixing collar material	Plastic

## Complementary

Mounting diameter	22.5 mm
Sale per indivisible quantity	1
protective treatment	TC
Operating position	Any position
device mounting	Fixing hole
Fixing center	$\geq 30 \times 40$ mm (panel) - thickness: 1...5 mm
Fixing mode	Fixing nut: 2...2.4 N.m
Shape of signaling unit head	Round
Type of operator	spring return
Operator profile	Green mushroom $\varnothing 40$ mm
Contacts type and composition	1 NC
Contact operation	Slow-break
Mechanical durability	1500000 cycles
Connections - terminals	Screw clamp terminal, $\leq 2 \times 1.5$ mm <sup>2</sup> Screw clamp terminal, $\leq 1 \times 2.5$ mm <sup>2</sup> Screw clamp terminal, $\geq 1 \times 0.5$ mm <sup>2</sup> Faston terminals, connection size: 6.3 mm
Tightening torque	0.8 N.m
Short-circuit protection	10 A gL fuse conforming to IEC 60269-1
[Ith] conventional free air thermal current	10 A
[Ui] rated insulation voltage	600 V conforming to IEC 60947-1
[Uimp] rated impulse withstand voltage	6 kV conforming to IEC 60947-1
[Ie] rated operational current	3 A at 240 V, AC-15, A600 0.27 A at 250 V, DC-13, Q600

<b>Electrical durability</b>	500000 cycles, AC-15, 3 A at 230 V, operating rate <60 cyc/mn, load factor: 0.5 conforming to IEC 60947-5-4 500000 cycles, DC-13, 0.2 A at 110 V, operating rate <60 cyc/mn, load factor: 0.5 conforming to IEC 60947-5-4
<b>Electrical reliability</b>	$\Lambda < 10\text{exp}(-8)$ at 24 V
<b>Width</b>	42 mm
<b>Height</b>	30 mm
<b>Depth</b>	74.2 mm
<b>net weight</b>	0.052 kg
<b>Cap/operator or lens colour</b>	Red
<b>Type of operator</b>	Spring return

## Environment

<b>Ambient air temperature for storage</b>	-40...70 °C
<b>Ambient air temperature for operation</b>	-25...55 °C
<b>Overvoltage category</b>	Class I conforming to IEC 536
<b>IP degree of protection</b>	IP65 conforming to IEC 60529
<b>IK degree of protection</b>	IK03 conforming to IEC 60529
<b>Standards</b>	IEC 60947-1 GB 14048.5 GB 14048.1 IEC 60947-5-1
<b>Product certifications</b>	CE CCC
<b>Vibration resistance</b>	10 gn (f= 40...500 Hz) conforming to IEC 60068-2-6
<b>Shock resistance</b>	15 gn (duration = 11 ms) for half sine wave acceleration conforming to IEC 60068-2-27

## Packing Units

<b>Unit Type of Package 1</b>	PCE
<b>Number of Units in Package 1</b>	1
<b>Package 1 Height</b>	3 cm
<b>Package 1 Width</b>	4 cm
<b>Package 1 Length</b>	7.5 cm
<b>Package 1 Weight</b>	66 g
<b>Unit Type of Package 2</b>	S02
<b>Number of Units in Package 2</b>	70
<b>Package 2 Height</b>	15 cm
<b>Package 2 Width</b>	30 cm
<b>Package 2 Length</b>	40 cm
<b>Package 2 Weight</b>	4.67 kg
<b>Unit Type of Package 3</b>	PAL
<b>Number of Units in Package 3</b>	1400
<b>Package 3 Height</b>	60 cm
<b>Package 3 Width</b>	80 cm

---

**Package 3 Length** 90 cm

---

**Package 3 Weight** 92.6 kg

## Bền vững

Nhãn **Green Premium™** là cam kết của Schneider Electric trong việc cung cấp sản phẩm với hiệu suất môi trường tốt nhất. Green Premium cam kết tuân thủ các quy định mới nhất, minh bạch về tác động môi trường, cũng như các sản phẩm tuần hoàn và CO<sub>2</sub> thấp.

**Hướng dẫn đánh giá tính bền vững của sản phẩm** là tài liệu kỹ thuật phổ thông giúp làm rõ các tiêu chuẩn nhãn sinh thái toàn cầu và cách diễn giải việc khai báo môi trường.


[Tìm hiểu thêm về Green Premium >](#)

[Hướng dẫn đánh giá về sự bền vững của sản phẩm >](#)

## Hiệu suất sức khỏe

 Reach Free Of Svhc

 Mercury Free

 Rohs Exemption Information [Yes](#)

**Reach Regulation** [REACH Declaration](#)

**Eu Rohs Directive** Pro-active compliance (Product out of EU RoHS legal scope)  
[EU RoHS Declaration](#)

**China Rohs Regulation** [China RoHS declaration](#)

**Weee** The product must be disposed on European Union markets following specific waste collection and never end up in rubbish bins

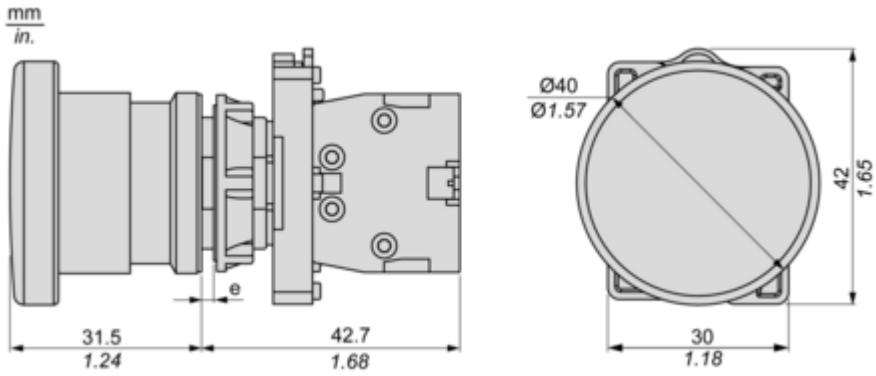
# Bảng thông số sản phẩm

# XA2EC42

## Dimensions Drawings

### Dimensions

---

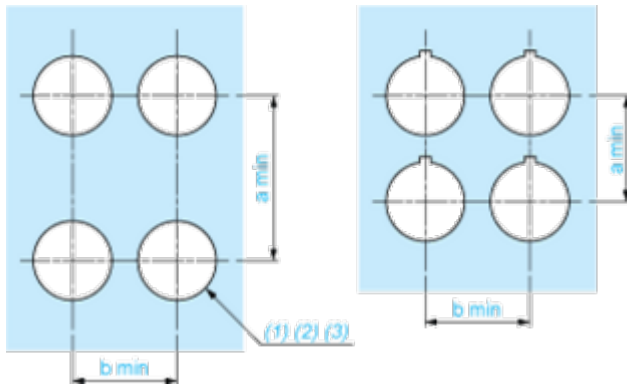


(e) Clamping thickness: 1 to 6 mm / 0.04 to 0.24 in.

## Mounting and Clearance

### Panel Cut-out for Pushbuttons, Switches and Pilot Lights (Finished Holes, Ready for Installation)

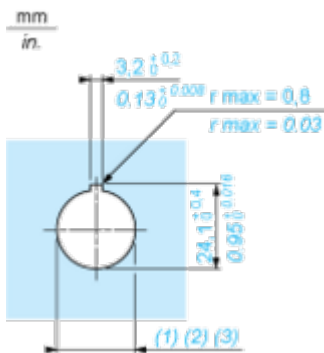
#### Connection by Screw Clamp Terminals



- (1) Diameter on finished panel or support
- (2) For selector switches and Emergency stop buttons, use of an anti-rotation plate type ZB5AZ902 is recommended.
- (3)  $\varnothing 22.5$  mm recommended ( $\varnothing 22.3_0^{+0.4}$ ) /  $\varnothing 0.89$  in. recommended ( $\varnothing 0.88$  in.  $_0^{+0.016}$ )

Connections	a in mm	a in in.	b in mm	b in in.
By screw clamp terminals connector	40	1.57	30	1.18
By Faston connectors	45	1.77	32	1.26

#### Detail of Lug Recess



- (1) Diameter on finished panel or support
- (2) For selector switches and Emergency stop buttons, use of an anti-rotation plate type ZB5AZ902 is recommended.
- (3)  $\varnothing 22.5$  mm recommended ( $\varnothing 22.3_0^{+0.4}$ ) /  $\varnothing 0.89$  in. recommended ( $\varnothing 0.88$  in.  $_0^{+0.016}$ )